

FIRE EXTINGUISHER CABINETS

AMBASSADOR SERIES: Steel Trim and Door

Door and Trim Construction: Cold rolled steel with white powder-coat finish standard. Flush cabinet doors with a 5/8" door stop are attached by a continuous hinge and equipped with zinc-plated handle and roller catch.

Trim Style and Depth: Recessed - 3/8" flat trim or trimless. Semi-Recessed - 1 1/4", 1 1/2" Square Edge or 2 1/2", 3", 4" (recessed pull), 4 1/2" Rolled Edge. Surface-mount has a square edge or optional rolled edge upon request. 1 3/4" face trim on frame and door.

Tub: Constructed of cold rolled steel with white powder-coat finish standard.

Options at Additional Cost: Color door and trim or tub. Rolled Edge Surface Mount Cabinet. See page 24. Custom colors.

Fire-Rated Option Available: Yes



AMBASSADOR
1017F10 with Optional
Lettering (BLK OPTION)



AMBASSADOR
1013F10

ACADEMY SERIES: Aluminum Trim and Door

Door and Trim Construction: Clear anodized aluminum. Flush cabinet doors with a 5/8" door stop are attached by a continuous hinge and equipped with zinc-plated handle and roller catch.

Trim Style and Depth: Recessed - 3/8" flat trim. Semi-Recessed - 1 1/4", 1 1/2" Square Edge or 2 1/2", 3", 4" (recessed pull), 4 1/2" Rolled Edge. Surface-mount has a square edge. 1 3/4" face trim on frame and door.

Tub: Constructed of cold rolled steel with white powder-coat finish standard. Surface-mounted models have clear anodized aluminum tubs.

Options at Additional Cost: Light, medium or dark bronze anodized finish. See page 24. Aluminum tub for non-rated use (#180 clear anodized).

Fire-Rated Option Available: Yes



ACADEMY
1027V10 (DK BRONZE OPTION)



ACADEMY
C1027V10

COSMOPOLITAN SERIES: Stainless Steel Trim and Door

Door and Trim Construction: No. 4 Stainless Steel Trim and Door. Flush cabinet doors with a 5/8" door stop are attached by a continuous hinge and equipped with zinc-plated handle and roller catch.

Trim Style and Depth: Recessed - 3/8" flat trim. Semi-Recessed - 1 1/4", 1 1/2" Square Edge or 2 1/2", 3", 4" (recessed pull), 4 1/2" Rolled Edge. Surface-mount has a square edge or optional rolled edge upon request. 1 3/4" face trim on frame and 1-1/4" on doors with glazing.

Tub: Constructed of cold rolled steel with white powder-coat finish standard. Surface-mounted models have No 4 stainless tubs.

Options at Additional Cost: Custom stainless finishes - #6 satin, #7 polished, #8 mirror. Stainless tub with #4 finish. Rolled Edge Surface Mount Cabinet.

Fire-Rated Option Available: Yes



COSMOPOLITAN
1036F16 (POLISHED #7)



COSMOPOLITAN
1035S21

CABINET OPTIONS FOR ALL MODELS: AMBASSADOR, ACADEMY & COSMOPOLITAN

Door Styles w/pull

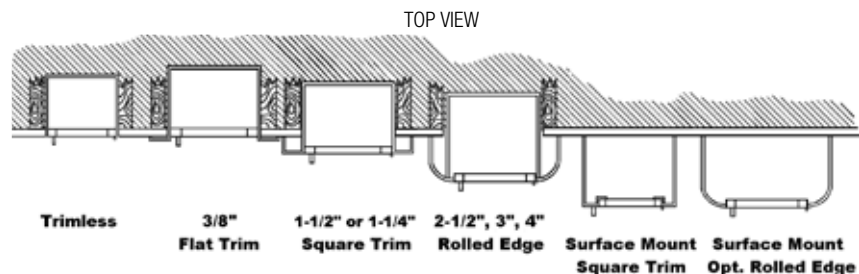
- F Full Glazing
- G Full Glazing & SAF-T-LOK™
- D Horizontal Duo Panel
- E Horizontal Duo Panel & SAF-T-LOK™
- S21 Solid
- L22 Solid with SAF-T-LOK™
- L24 Solid with Cylinder Lock & No Handle
- B Solid with 2" x 4" Acrylic Insert & SAF-T-LOK™
- V Vertical Duo
- W Vertical Duo & SAF-T-LOK™

Door Glazing

- 10 Clear Acrylic
- 13 Clear Wire Glass with safety film
- 15 Bronze Acrylic
- 16 Gray Acrylic
- 17 Clear Tempered Glass
- 18 Laminated Safety Glass

Options at Additional Cost

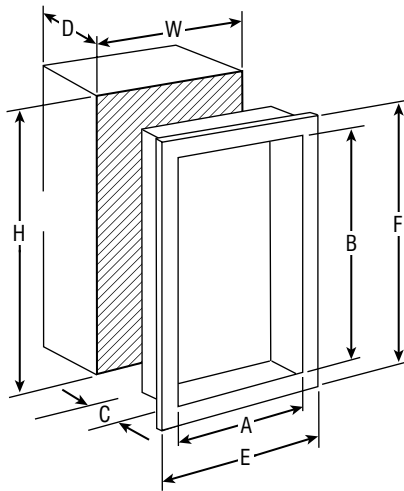
- Vertical or Horizontal Lettering - See Page 21
- Futura Embossed "Fire" Handle in Mill, White or Red
- ADA Flush Pull or Chrome Turn Handle
- Wall Signs & Alarms - See Page 20
- Red or Black Painted Steel Tub
- Engraved Metal Door or Etched Glass



FIRE EXTINGUISHER CABINETS



AMBASSADOR, ACADEMY, COSMOPOLITAN: Door Styles



SELECTION CHART FOR AMBASSADOR, ACADEMY, COSMOPOLITAN SERIES

Trim and Door Material and Series #			Tub I.D.			Frame O.D.		Wall Opening: Non-rated			Wall Opening: FX Option			Accommodates Following Extinguishers	
Steel	Aluminum	Stainless Steel	Trim Style	A	B	C	E	F	W	H	D	W	H		D
AMBASSADOR	ACADEMY	COSMOPOLITAN		Width	Height	Depth									
8114	--	--	Trimless	9	18	5 1/2	9 1/4	18 1/4	9 1/2	18 1/2	5 3/4	--	--	--	Cosmic & Galaxy 2.5-6, Mercury 2.5-5
8115	8125	8135	Flat Trim	9	18	5 1/2	12 3/8	21 3/8	10	19	5 1/2	11	20 1/8	6 3/8	
8116	8126	8136	1 1/2" Square	9	18	5 1/2	12 3/8	21 3/8	10	19	4	11	20 1/8	4 7/8	
8117	8127	8137	2 1/2" Rolled	9	18	5 1/2	12 3/8	21 3/8	10	19	3 1/8*	11	20 1/8	4*	
8113	8123	8133	Surf. Mtd.	12 3/16	21 3/16	6	12 3/8	21 3/8	--	--	--	--	--	--	
1710	1720	1730	2 1/4" Square	10 1/2	24	5	13 7/8	27 3/8	11 1/2	25	2 3/4	12 1/2	26 1/8	3 5/8	Cosmic & Galaxy 2.5-6, Mercury 2.5 & 5
1815	1825	1835	Flat Trim	10 1/2	24	5 1/2	13 7/8	27 3/8	11 1/2	25	5 1/2	12 1/2	26 1/8	6 3/8	
1816	1826	1836	1 1/2" Square	10 1/2	24	5 1/2	13 7/8	27 3/8	11 1/2	25	4	12 1/2	26 1/8	4 7/8	
1817	1827	1837	3" Rolled	10 1/2	24	5 1/2	13 7/8	27 3/8	11 1/2	25	2 5/8	12 1/2	26 1/8	3 1/2	
1812	1822	1832	4" Rolled	10 1/2	24	5 1/2	13 7/8	27 3/8	11 1/2	25	1 5/8*	12 1/2	26 1/8	2 1/2*	
1818	1828	1838	4 1/2" Rolled	10 1/2	24	5 1/2	13 7/8	27 3/8	11 1/2	25	1 1/8*	12 1/2	26 1/8	2*	
1014	--	--	Trimless	10 1/2	24	6	13 3/4	24 1/4	11	24 1/2	6 1/4	-	-	-	Cosmic & Galaxy 2.5-10, Mercury 2.5 & 5, Sentinel 5
1015	1025	1035	Flat Trim	10 1/2	24	6	13 7/8	27 3/8	11 1/2	25	6	12 1/2	26 1/8	6 7/8	
1016	1026	1036	1 1/2" Square	10 1/2	24	6	13 7/8	27 3/8	11 1/2	25	4 5/8	12 1/2	26 1/8	5 3/8	
1017	1027	1037	3" Rolled	10 1/2	24	6	13 7/8	27 3/8	11 1/2	25	3 1/8	12 1/2	26 1/8	4	
1012	1022	1032	4" Rolled	10 1/2	24	6	13 7/8	27 3/8	11 1/2	25	2 1/8*	12 1/2	26 1/8	3*	
1018	1028	1038	4 1/2" Rolled	10 1/2	24	6	13 7/8	27 3/8	11 1/2	25	1 5/8*	12 1/2	26 1/8	2 1/2*	
1013	1023	1033	Surf. Mtd.	13 11/16	27 3/16	6 1/2	13 7/8	27 3/8	--	--	--	--	--	--	
2014	--	--	Trimless	12	27	7 3/4	12 1/4	27 1/4	12 1/2	27 1/2	8	--	--	--	Any Cosmic**, Galaxy**, Mercury, Saturn or Grenadier P, Sentinel 5 & 10
2015	2025	2035	Flat Trim	12	27	7 3/4	15 3/8	30 3/8	13	28	7 3/4	14	29 1/8	8 1/2	
2016	2026	2036	1 1/4" Square	12	27	7 3/4	15 3/8	30 3/8	13	28	6 3/4	14	29 1/8	7 3/8	
2017	2027	2037	2 1/2" Rolled	12	27	7 3/4	15 3/8	30 3/8	13	28	5 1/2*	14	29 1/8	6 3/8*	
2012	2022	2032	4" Rolled	12	27	7 3/4	15 3/8	30 3/8	13	28	4*	14	29 1/8	4 5/8*	
2018	2028	2038	4 1/2" Rolled	12	27	7 3/4	15 3/8	30 3/8	13	28	3 1/2*	14	29 1/8	4 1/8*	
2013	2023	2033	Surf. Mtd.	15 3/16	30 3/16	8 1/4	15 3/8	30 3/8	--	--	--	--	--	--	
3015	3025	3035	Flat Trim	16	32	7 3/4	19 3/8	35 3/8	17	33	7 3/4	18	34 1/8	8 1/2	Any Cosmic**, Galaxy**, Mercury, Saturn or Grenadier P, Sentinel 5 & 10 & 15, 272
3016	3026	3036	1 1/4" Square	16	32	7 3/4	19 3/8	35 3/8	17	33	6 3/4	18	34 1/8	7 3/8	
3017	3027	3037	2 1/2" Rolled	16	32	7 3/4	19 3/8	35 3/8	17	33	5 1/2*	18	34 1/8	6 3/8*	
3012	3022	3032	4" Rolled	16	32	7 3/4	19 3/8	35 3/8	17	33	4*	18	34 1/8	4 5/8*	
3018	3028	3038	4 1/2" Rolled	16	32	7 3/4	19 3/8	35 3/8	17	33	3 1/2*	18	34 1/8	4 1/8*	
3013	3023	3033	Surf. Mtd.	19 3/16	35 3/16	8 1/4	19 3/8	35 3/8	--	--	--	--	--	--	
4015	4025	4035	Flat Trim	20	27	7 3/4	23 3/8	30 3/8	21	28	7 3/4	22	29 1/8	8 1/2	Two Each of Any Cosmic**, Galaxy**, Mercury, Saturn or Grenadier P, Sentinel 5
4016	4026	4036	1 1/4" Square	20	27	7 3/4	23 3/8	30 3/8	21	28	6 3/4	22	29 1/8	7 3/8	
4017	4027	4037	2 1/2" Rolled	20	27	7 3/4	23 3/8	30 3/8	21	28	5 1/2*	22	29 1/8	6 3/8*	
4012	4022	4032	4" Rolled	20	27	7 3/4	23 3/8	30 3/8	21	28	4*	22	29 1/8	4 5/8*	
4018	4028	4038	4 1/2" Rolled	20	27	7 3/4	23 3/8	30 3/8	21	28	3 1/2*	22	29 1/8	4 1/8*	
4013	4023	4033	Surf. Mtd.	23 3/16	30 3/16	8 1/4	23 3/8	30 3/8	--	--	--	--	--	--	

Dimensions in Inches

*ADD 5/8" FOR CABINETS WITH ALUMINUM FRAMES.

**COSMIC 20 & GALAXY 20 EXTINGUISHER MUST BE MOUNTED ON THE BACK OF THE CABINET TUB.